

rev. 1,0

INSTALLATION INSTRUCTIONS

LMDOCCIA SERIES

Model Wall/Wall

Glass 8 mm

Kit width 1500 mm

LMDOCCIA01



LOGLI
MASSIMO
SAINT-GOBAIN



LMDOCCIA SERIES

Model Wall/Wall - Glass 8 mm - Kit width 1500 mm

LMDOCCIA01

Composition of the kit



<p>LMSD21MM</p> <p>1 Set</p>		
<p>LMSD5015</p> <p>1 Pc</p>	<p>LMSD10015</p> <p>1 Pc</p>	<p>PBD3183.150 + PBD3183.220</p> <p>1 Pc + 1 Pc</p>
<p>PBD3184.100</p> <p>1 Pc</p>	<p>GTUP4</p> <p>4 mt</p>	<p>GM0622</p> <p>1 Pc</p>
<p>LMC13.100</p> <p>1 Pc</p>	<p>HAND6640VHB</p> <p>2 Pc</p>	

Important information

GENERAL INDICATIONS

- The exclusive use of safety glass is required (monolithic tempered or laminated)
- Do not install the product in environments characterized by the presence of aggressive chemical agents (pools, saunas, marine atmosphere, ...).
- Do not move the doors too fast.
- Do not move the doors with excessive force. Install and adjust the end stops correctly supplied in the kit.

PROPER AND AUTHORIZED USE

- It is possible to install the product only indoors, protected from moisture and agents atmospheric (sun, wind, pollution, ...)
- The authorized use concerns manual opening and closing and at a running speed of 1 or more sliding glass panels inside a door.

REQUIREMENTS OF GLASS PANELS AND ANCHORS

- The structure to which the product is anchored must be able to support permanent loads and have an adequate geometric linearity (maximum height of 2 mm every 1000 mm).
- The anchors must be correctly selected according to the type of structure and the weight of the suspended parts of the product (including glass panels).
- The exclusive use of safety glass (monolithic, tempered or laminated) is required.
- Never use panels that are not intact or otherwise damaged.
- During adjustment phases, make sure that the glass never comes into contact with potentially dangerous parts because of its integrity (metal parts, masonry, ...).
- Never exceed the appropriate tightening torques; too tight a tightening does not correspond to a better tightening and can cause permanent damage to the product, to the anchoring structure and to the glass panels.

INSTRUCTIONS FOR MAINTENANCE AND CLEANING

- Replace damaged and / or worn parts immediately.
- Before installation, always degrease the areas of the glass panels on which the clamping elements (clamps) will be installed
- Use non-aggressive, non-greasy detergents for cleaning.
- Regularly check the level of wear of the components and the correct operation of the product.
- Use only original spare parts.

SAFETY INSTRUCTIONS

- The installation requires the simultaneous presence of two operators.
- Wear appropriate personal protective equipment including gloves, shoes and goggles.
- Only qualified and trained operators can perform the installation and commissioning of the product.
- Always avoid direct contact between glass and metal.



END OF LIFE

- The product disassembly procedure must be performed by two operators.
- Wear appropriate personal protective equipment including gloves, shoes and goggles.
- Only qualified and properly trained operators can disassemble the product.

Disposal of the product must be carried out in accordance with the national regulations in force regarding waste and environmental protection. In particular, follow the instructions below:

- plastic, rubber and similar parts must be sent to an approved center;
- materials made of aluminum, iron and metal in general must be sent to an approved recycling center;
- the glass parts must be sent to an authorized disposal center.

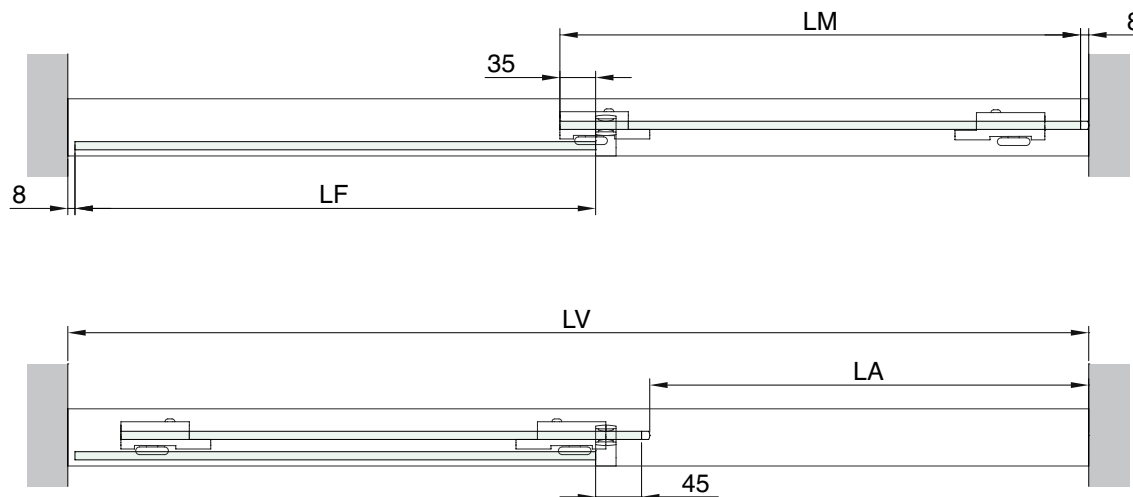
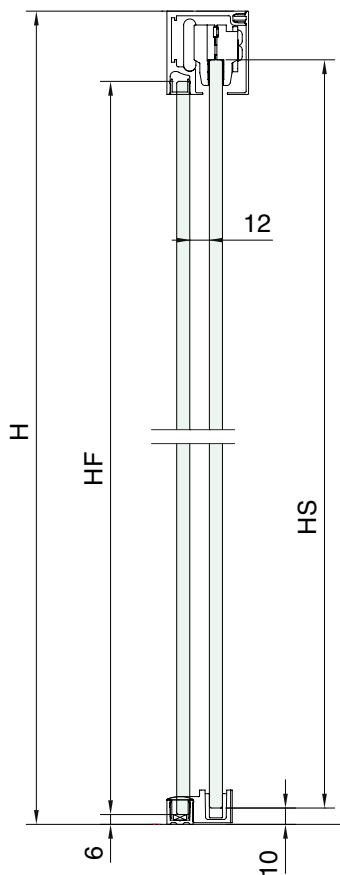


Warning: read the instructions carefully

To reduce the risk of accidents, operators who install and / or use this product **MUST** read and understand these instructions.

DO NOT THROW
DELIVER TO USER

General dimensions



OPTIONAL SOFTBREAK Art. LMSTOP



GLASS DIMENSIONING

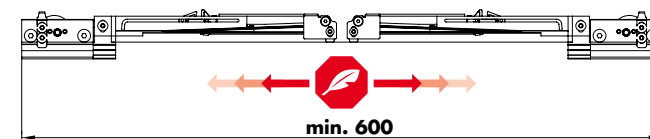
- 1) detect the LV measurement
- 2) $LM = (LV + 20)/2$
- 3) $HS = H - 40$
- 4) $LF = LM$
- 5) $HF = H - 50$
- 6) $LA = (LV - 130)/2$

EXAMPLE FULL DIMENSIONS

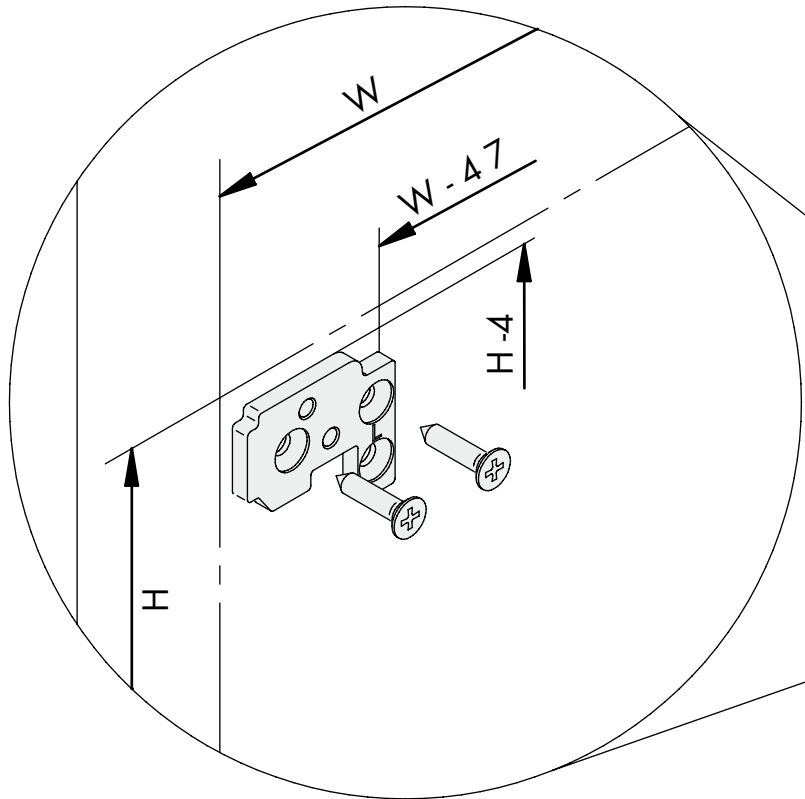
L opening (LV)	L fixed (LF)	L sliding (LM)	Passage (LA)
1500	760	760	680

dimensions expressed in mm

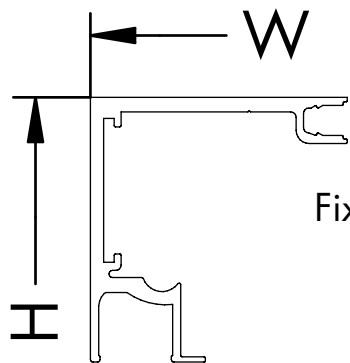
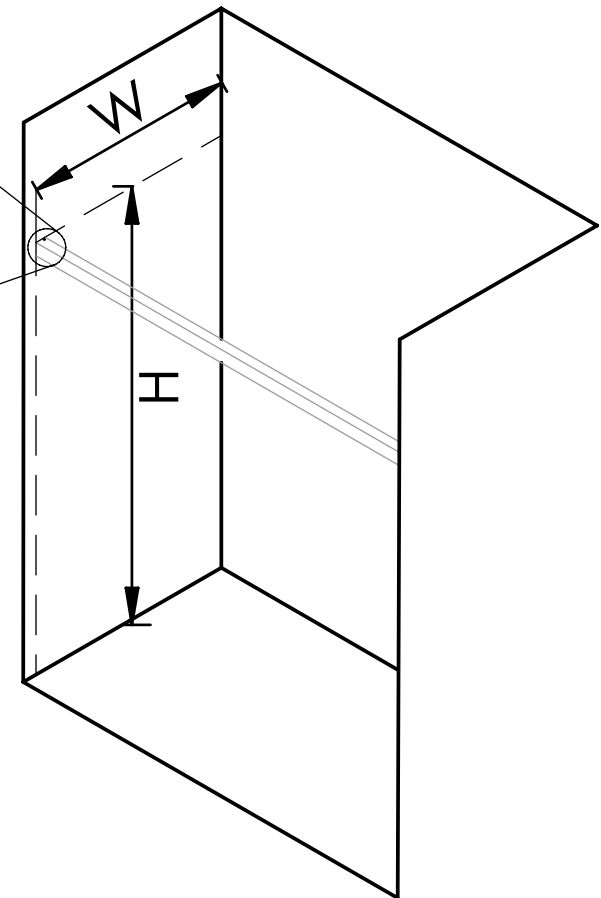
Length of the rail $LB = LV - 2$



1



W = distance between wall
and external track
H = distance from ground to over track

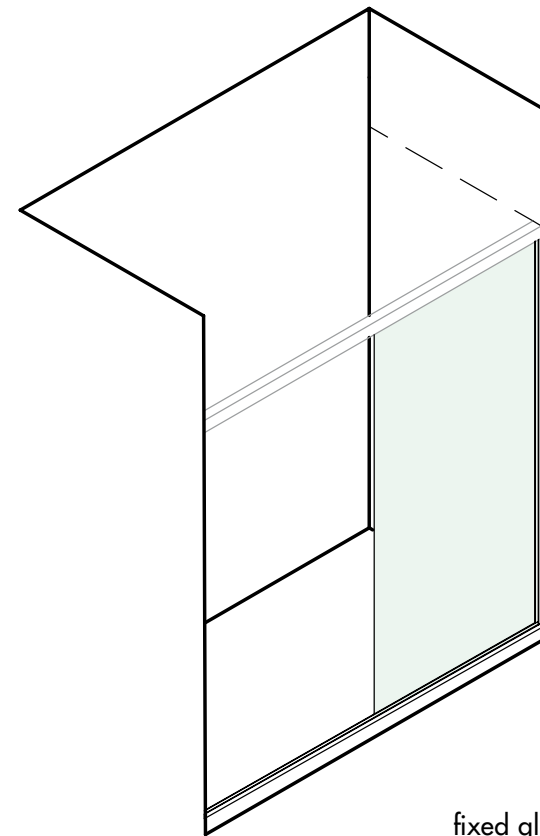
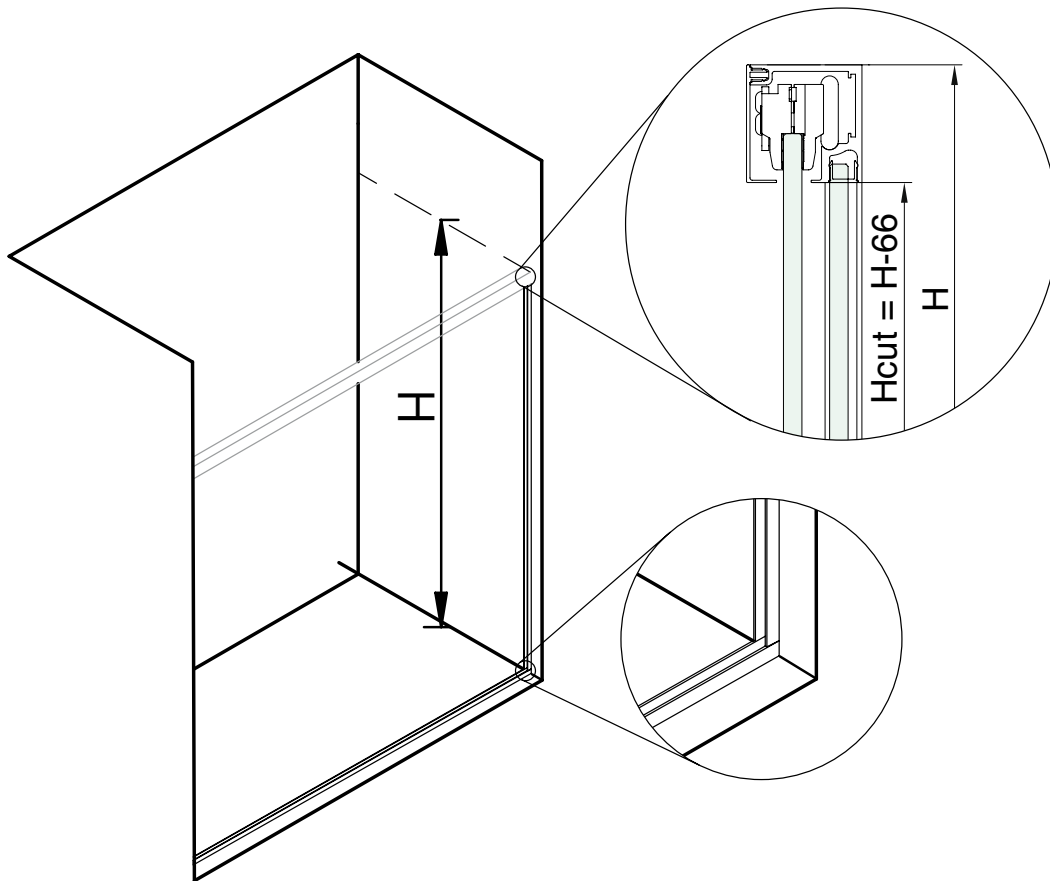


Fix the support to the wall

2

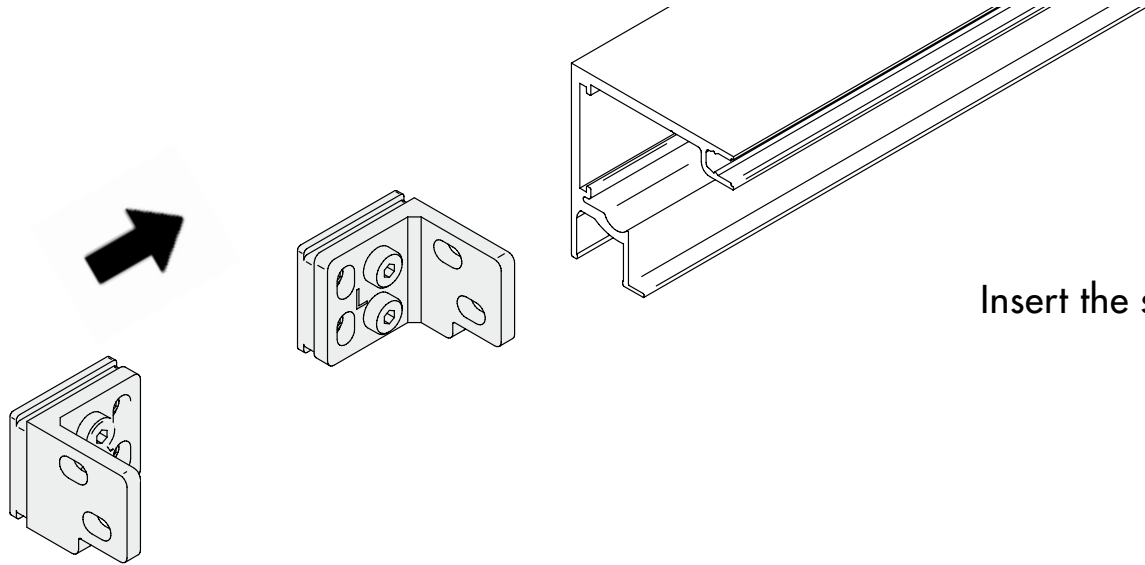
FIXED GLASS ASSEMBLY

Assembly of fixed glass gaskets



Use shims SPE2393 to distance fixed glass from the bottom of the channel and gaskets GTUP type for glass locking

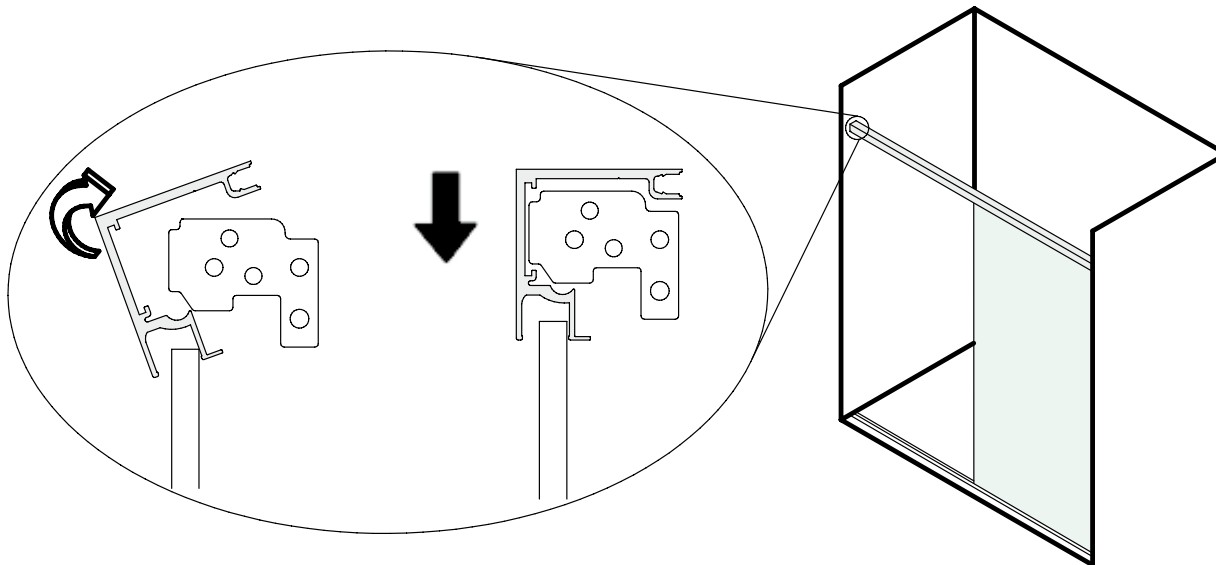
3



Insert the supports in the rail as shown

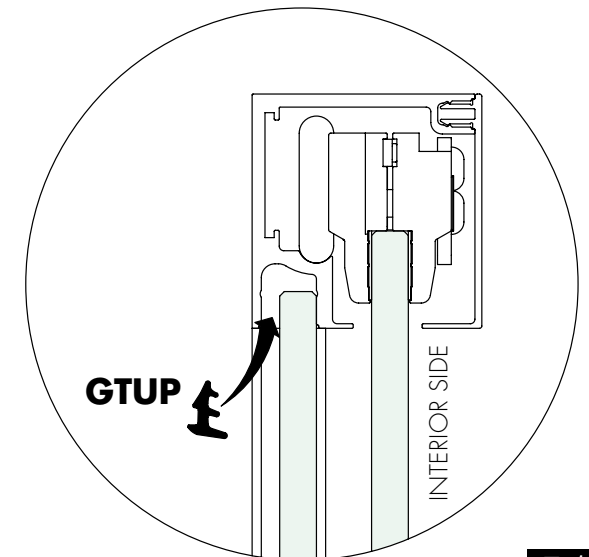
4a

Rail mounting

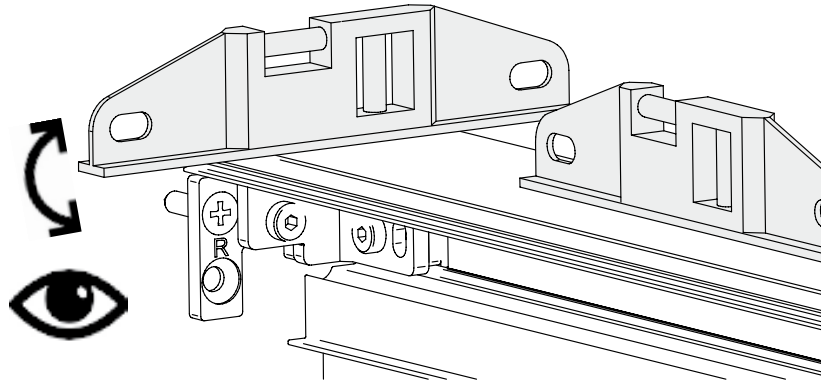


4b

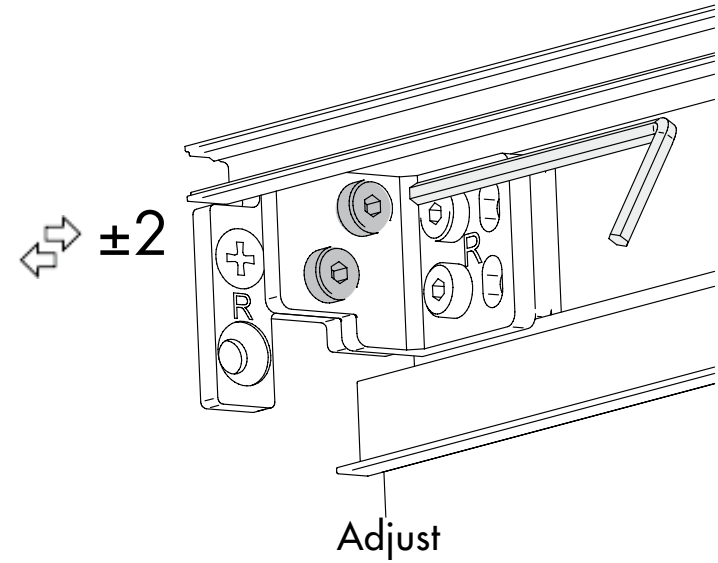
Mounting of gaskets on the rail



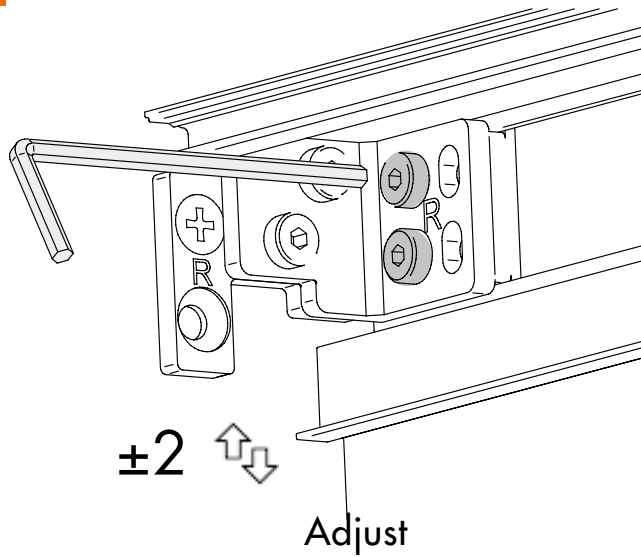
5



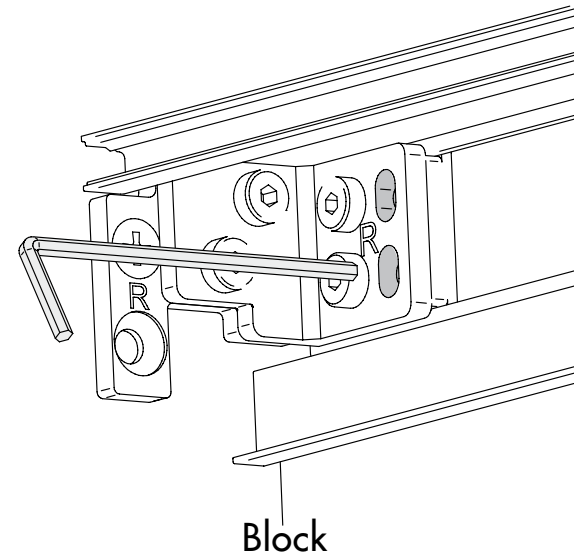
6a



6b



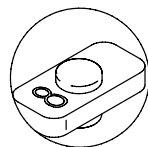
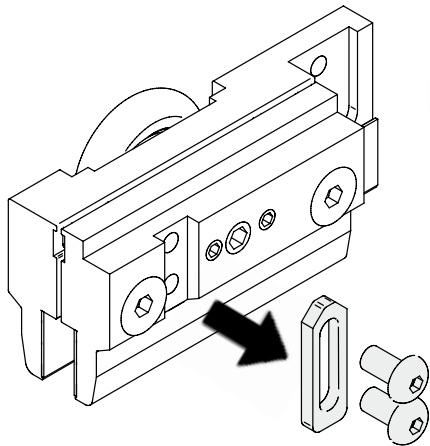
7



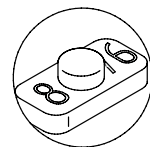
8

GRIPPERS INSTALLATION

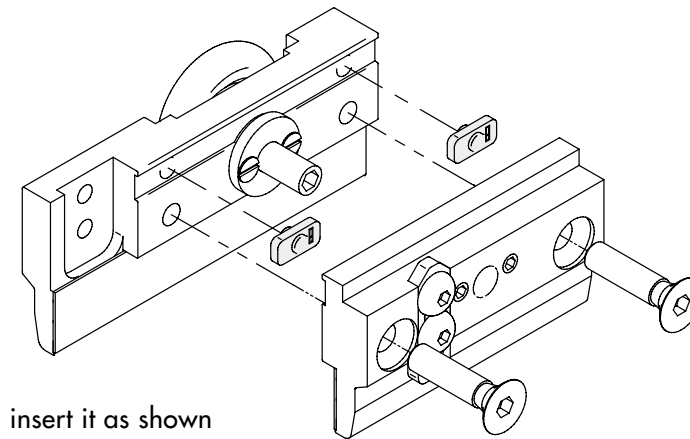
Remove anti-derailment accessory



GLASS 8 mm



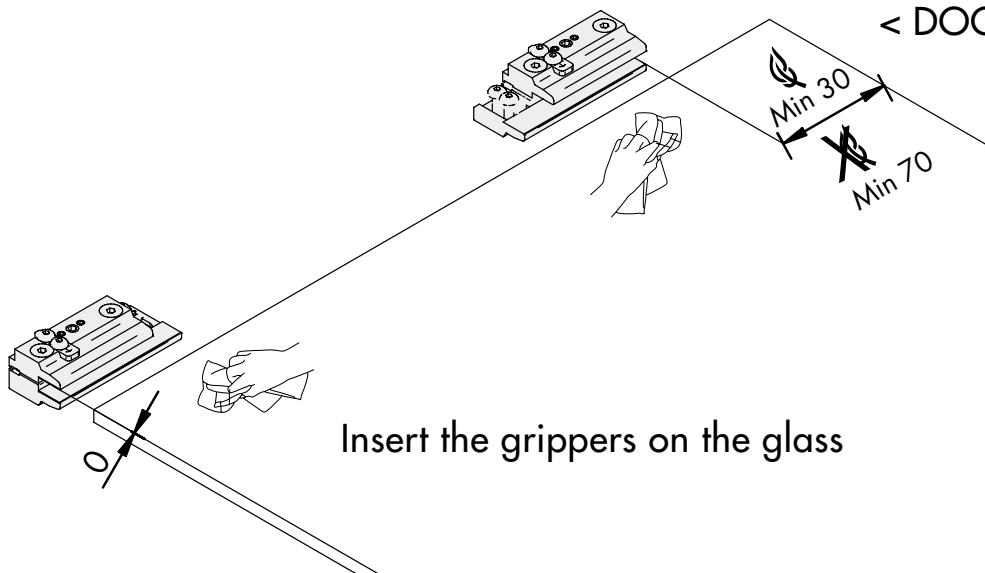
GLASS 8,76 mm



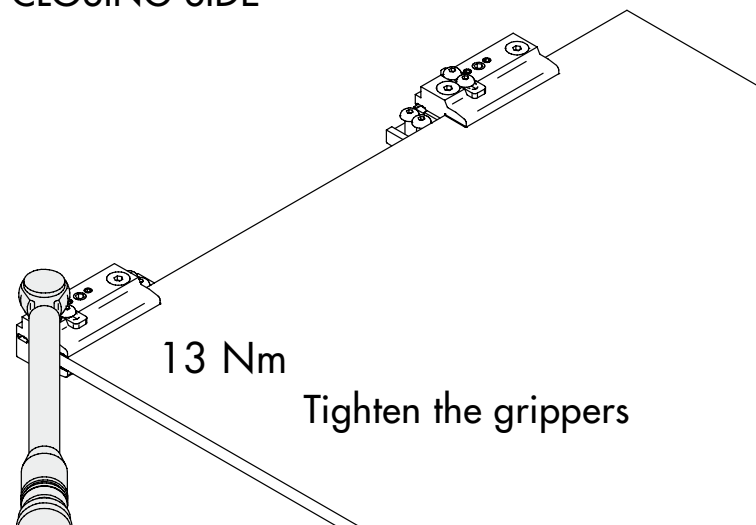
Select the spacer according to the thickness of the glass and insert it as shown

9

< DOOR CLOSING SIDE



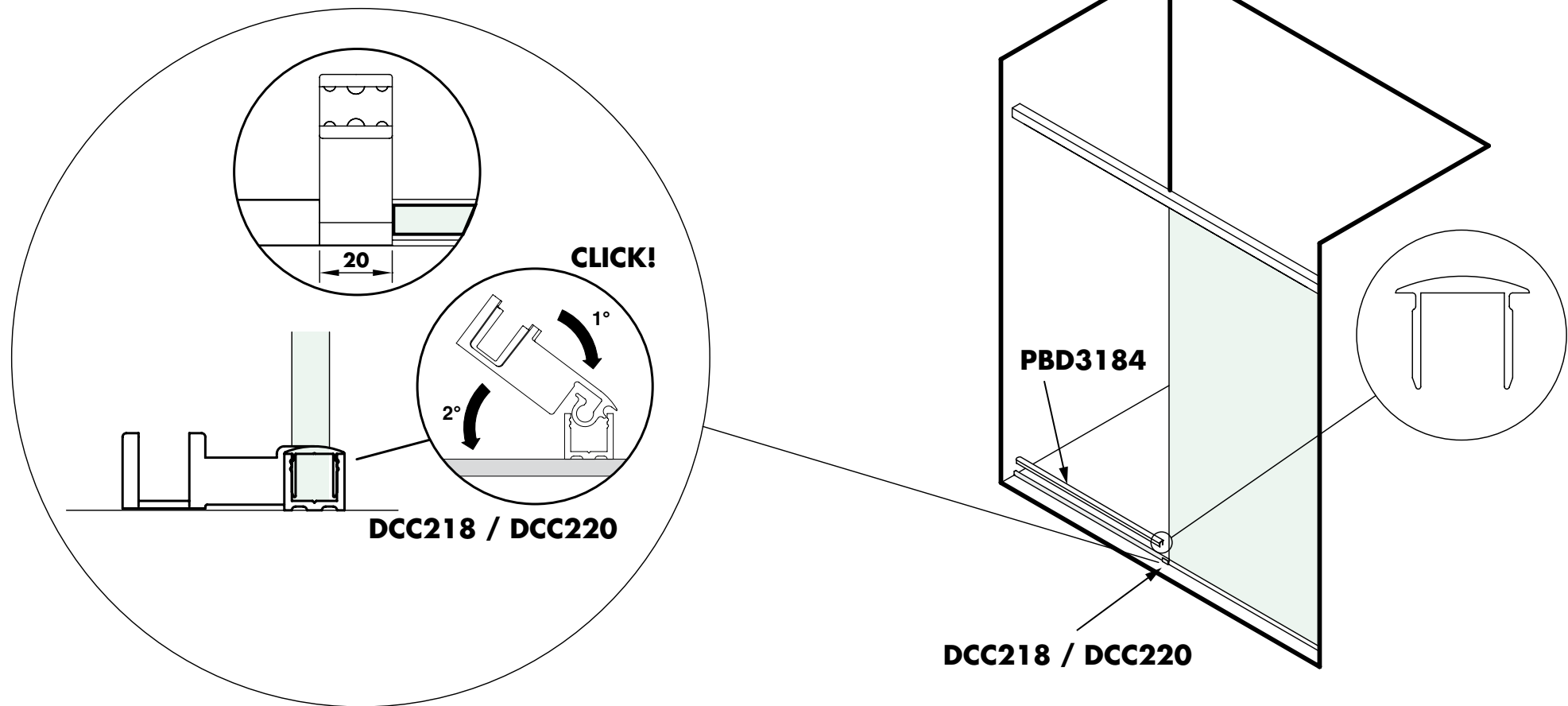
Insert the grippers on the glass



Tighten the grippers

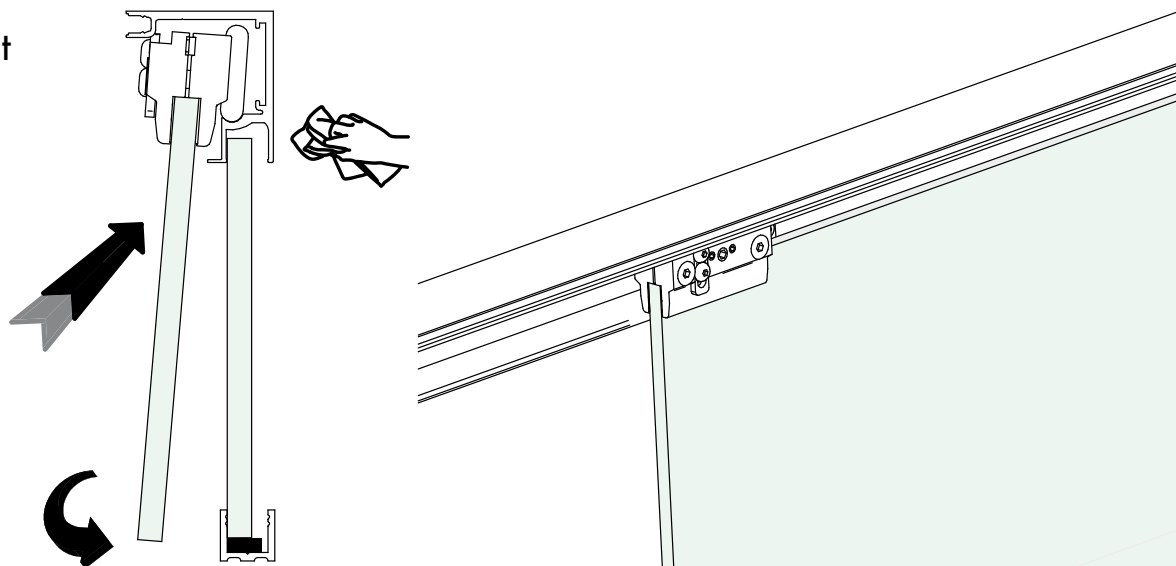
10

Insert the floor guide and the PBD3184 cover

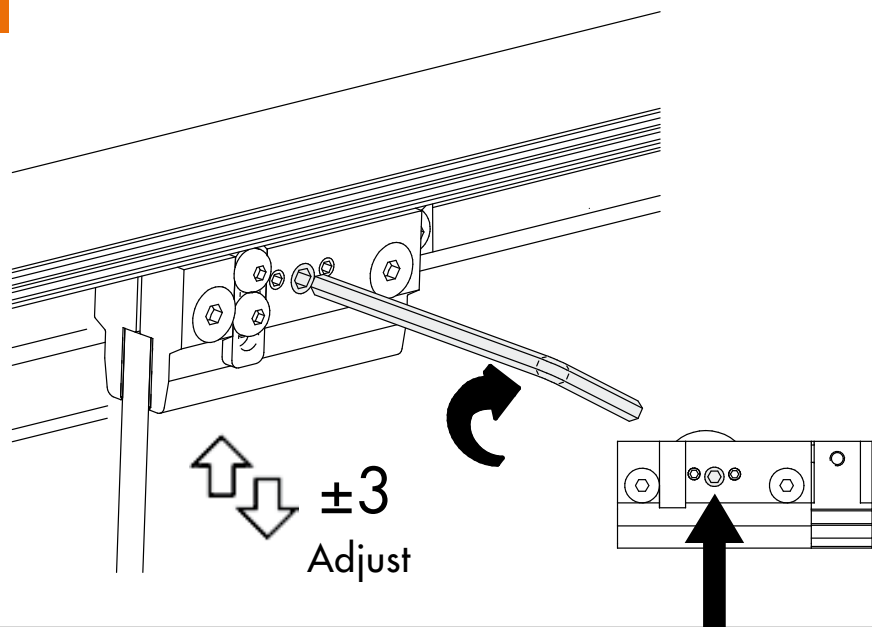


11

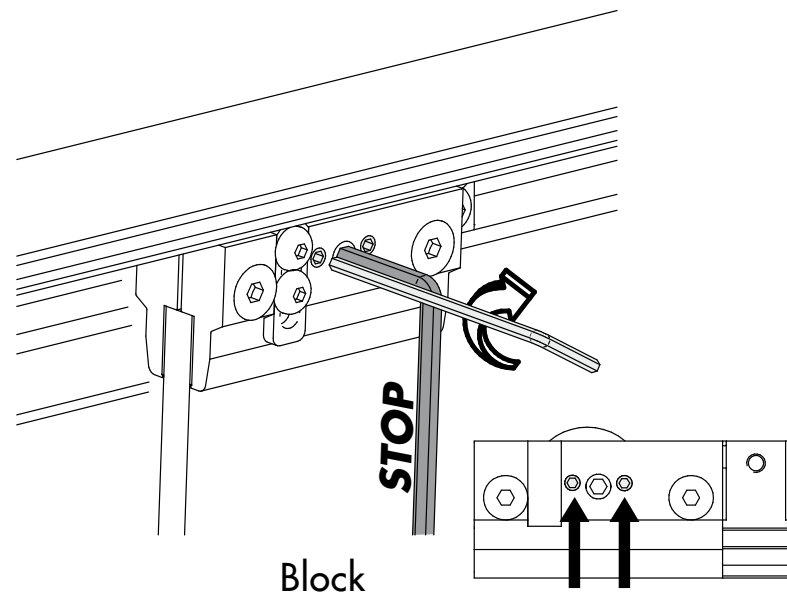
Clean the profile first
to hook the wheels



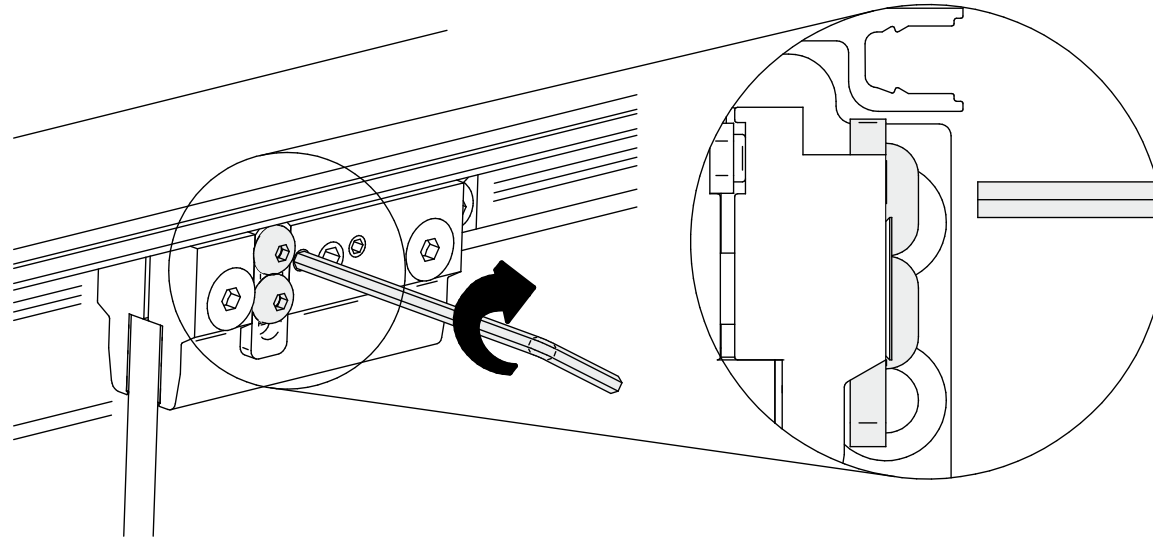
12



13

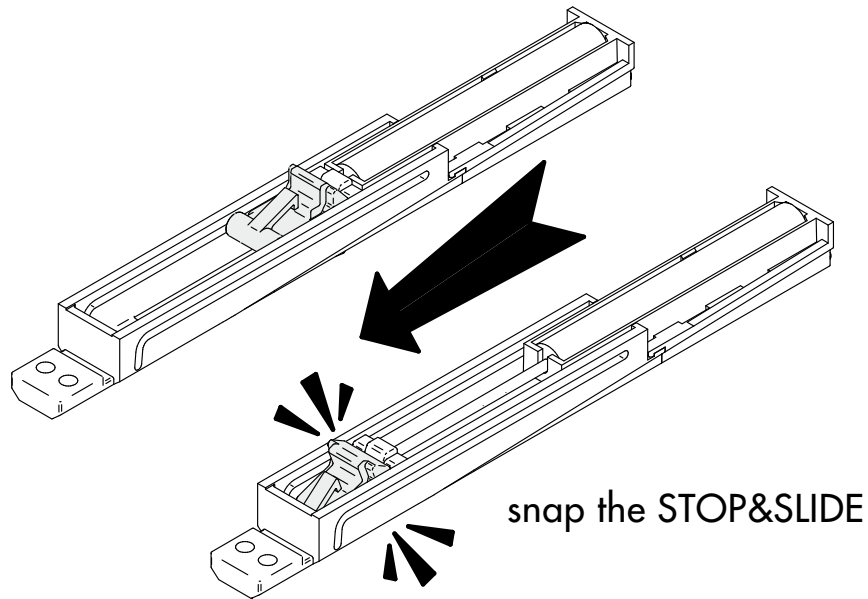


14



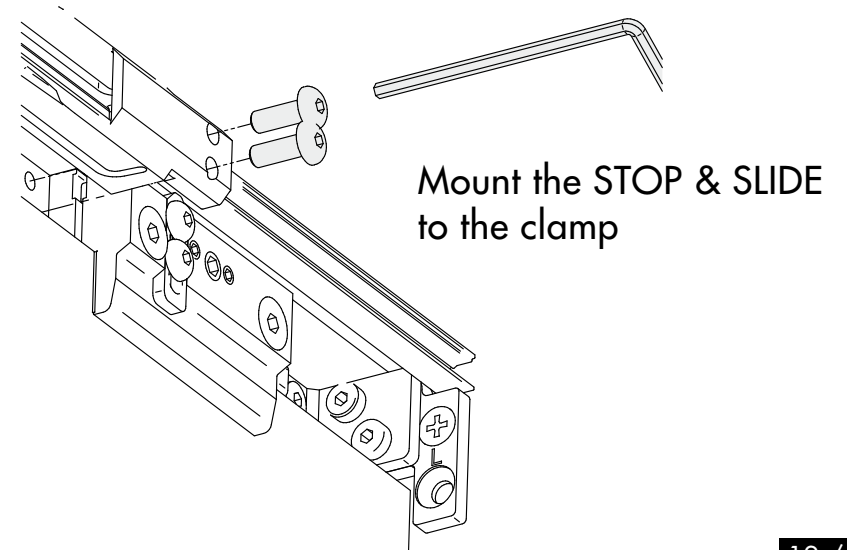
Fix and adjust
the anti-derailment

15



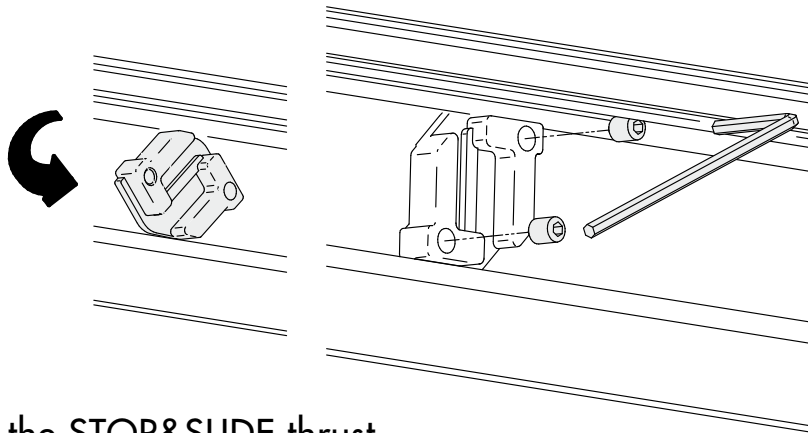
snap the STOP&SLIDE

16



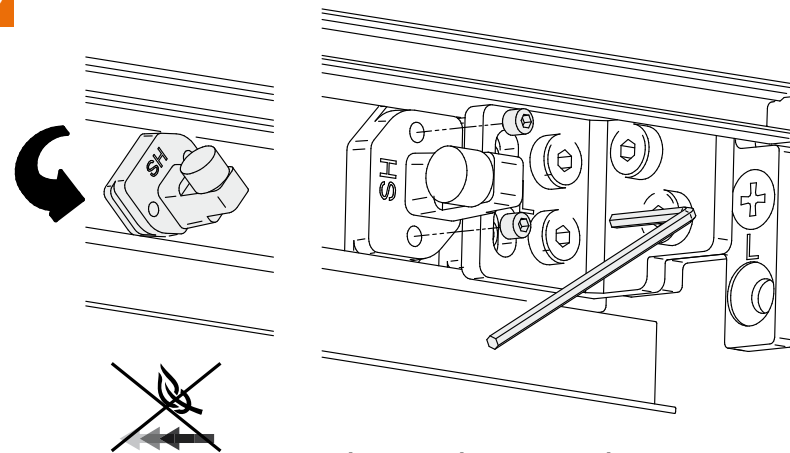
Mount the STOP & SLIDE
to the clamp

17a



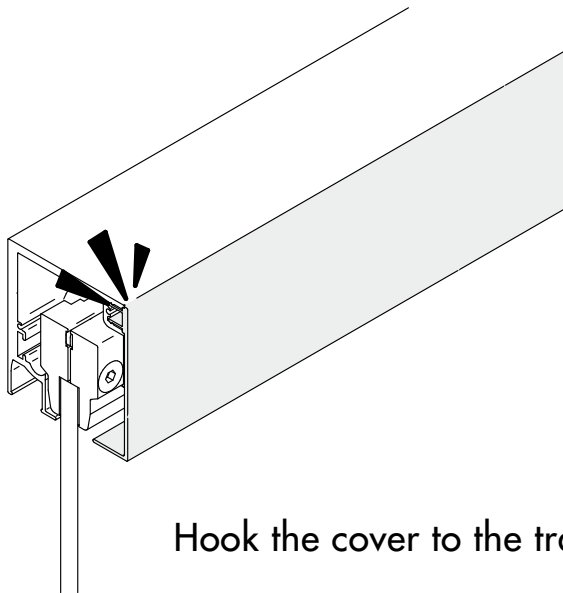
Enter the STOP&SLIDE thrust
ACTIVATOR And screw it making sure that the sliding door
is correctly inserted in the floor guide

17b



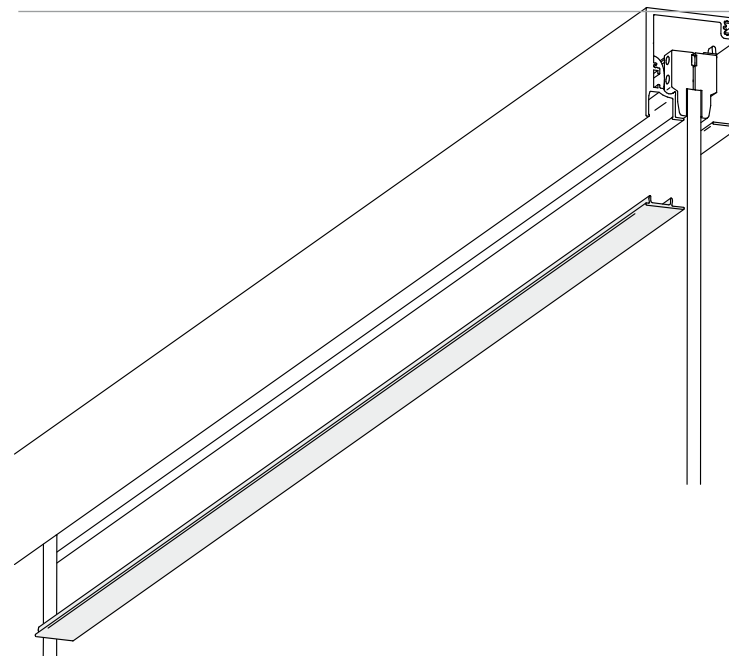
Mechanical stop without STOP&SLIDE

18



Hook the cover to the track

19



Final adjustments



- Seal the joints inside the shower compartment between the profiles and the fixed glass
- Seal the joints inside the shower compartment between the profiles and the walls of the shower compartment
- Apply GM gaskets
- Apply the adhesive handles

